

COB LED

-----

SGS GZP23-013561  
 2023 09 13  
 2023 09 13 ~ 2023 09 21

RoHS 2011/65/EU II (EU) 2015/863- (PBBs) (PBDEs) (DBP) (BBP) (2- ) (DEHP) (DIBP)	
RoHS 2011/65/EU II (EU) 2015/863- , , , (PBBs), (PBDEs), (DBP), (BBP), (2- ) (DEHP) (DIBP)	

Jessie-JX Li



Unless otherwise agreed in writing, this document is issued by the Company subject to its General Conditions of Service printed overleaf, available on request or accessible at <https://www.sgs.com/en/Terms-and-Conditions>. Attention is drawn to the limitation of liability, indemnification and jurisdiction issues defined therein. Any holder of this document is advised that information contained hereon reflects the Company's findings at the time of its intervention only and within the limits of Client's instructions, if any. The Company's sole





CANEC23009889808

2023 09 22

2

10

		SGS ID	
SN1	A13	CAN23-0098898-0001.C013	/ /
SN2	A14	CAN23-0098898-0001.C014	



Unless otherwise agreed in writing, this document is issued by the Company subject to its General Conditions of Service printed overleaf, available on request or accessible at <https://www.sgs.com/en/Terms-and-Conditions>. Attention is drawn to the limitation of liability, indemnification and jurisdiction issues defined therein. Any holder of this document is advised that information contained hereon reflects the Company's findings at the time of its intervention only and within the limits of Client's instructions, if any. The Company's sole



			MDL	A13	A14
(HexaBDE)	-	mg/kg	5	ND	ND
(HeptaBDE)	-	mg/kg	5	ND	ND
(OctaBDE)	-	mg/kg	5	ND	ND
(NonaBDE)	-	mg/kg	5	ND	ND
(DecaBDE)	-	mg/kg	5	ND	ND
(DBP)	1000	mg/kg	50	ND	ND
(BBP)	1000	mg/kg	50	ND	ND
(2- ) (DEHP)	1000	mg/kg	50	ND	ND
(DIBP)	1000	mg/kg	50	ND	ND

- (1) RoHS (EU) 2015/863
- (2) IEC 62321 EN 62321
- (3) 2021 7 22 DEHP BBP DBP DIBP

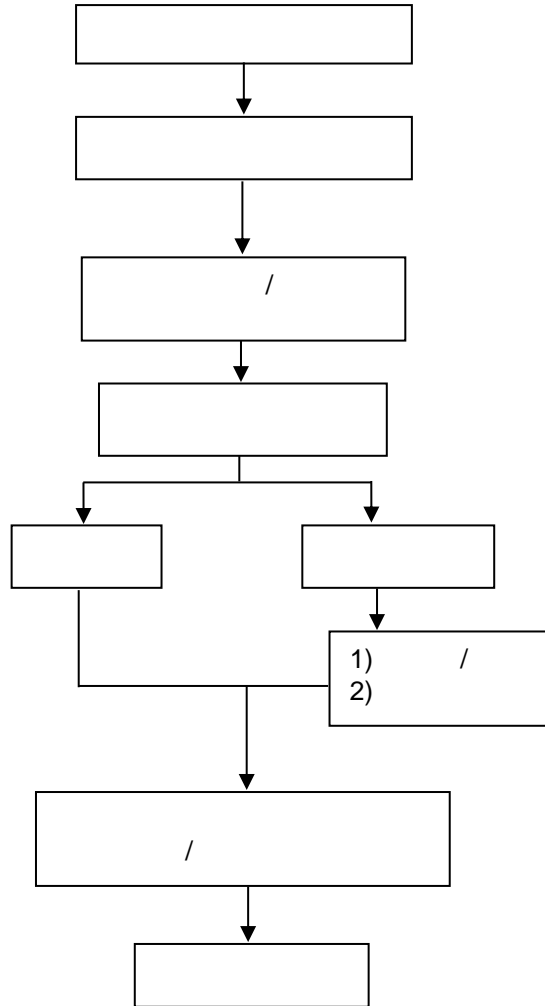
RoHS 2011/65/EU II (EU) 2015/863- , , , , (PBBs),  
 (PBDEs), (DBP), (BBP), (2- ) (DEHP)  
 (DIBP)

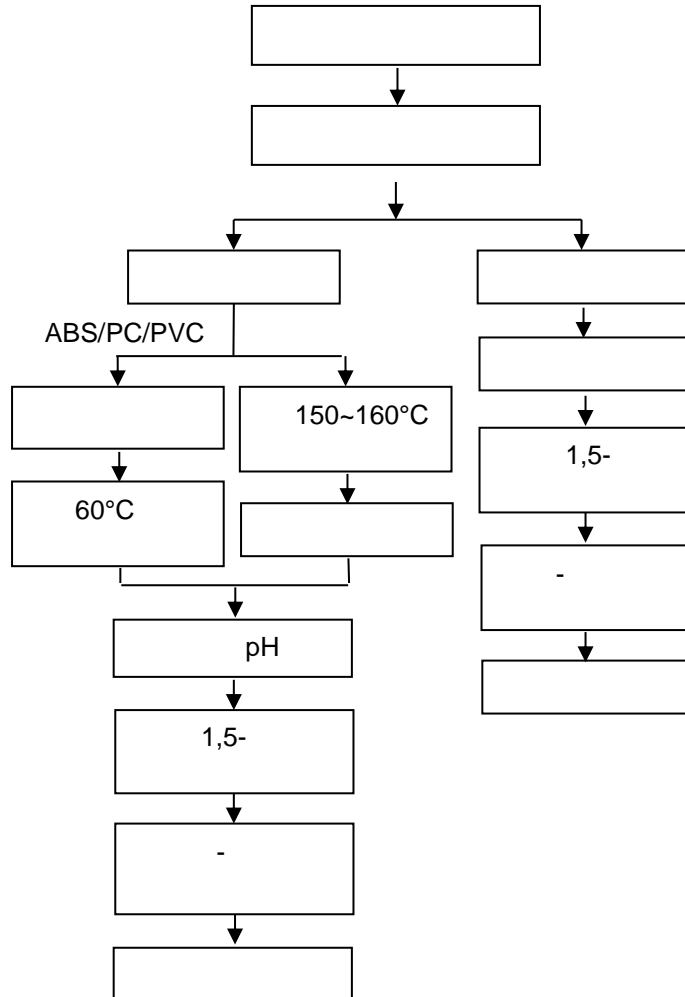
IEC 62321-4:2013+A1:2017, IEC 62321-5:2013, IEC 62321-7-2:2017, IEC 62321-6:2015  
 IEC 62321-8:2017, ICP-OES,UV-Vis GC-MS

			MDL	A15
(Cd)	100	mg/kg	2	ND
(Pb)	1000	mg/kg	2	ND
(Hg)	1000	mg/kg	2	ND
(Cr(VI))	1000	mg/kg	8	ND
(PBBs) (MonoBB)	1000	mg/kg	-	ND



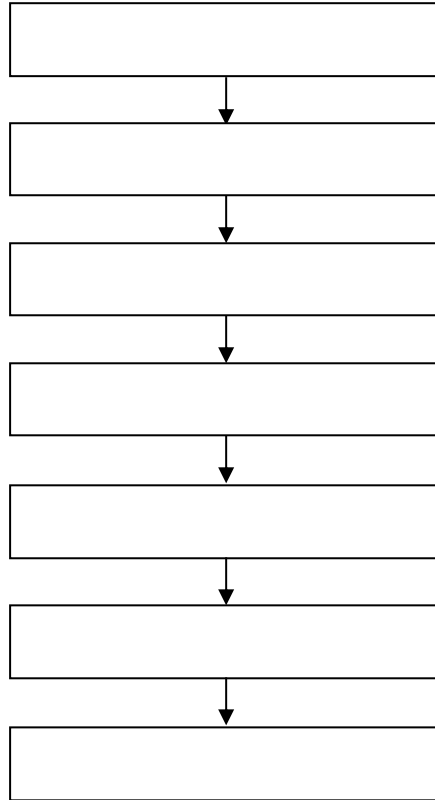








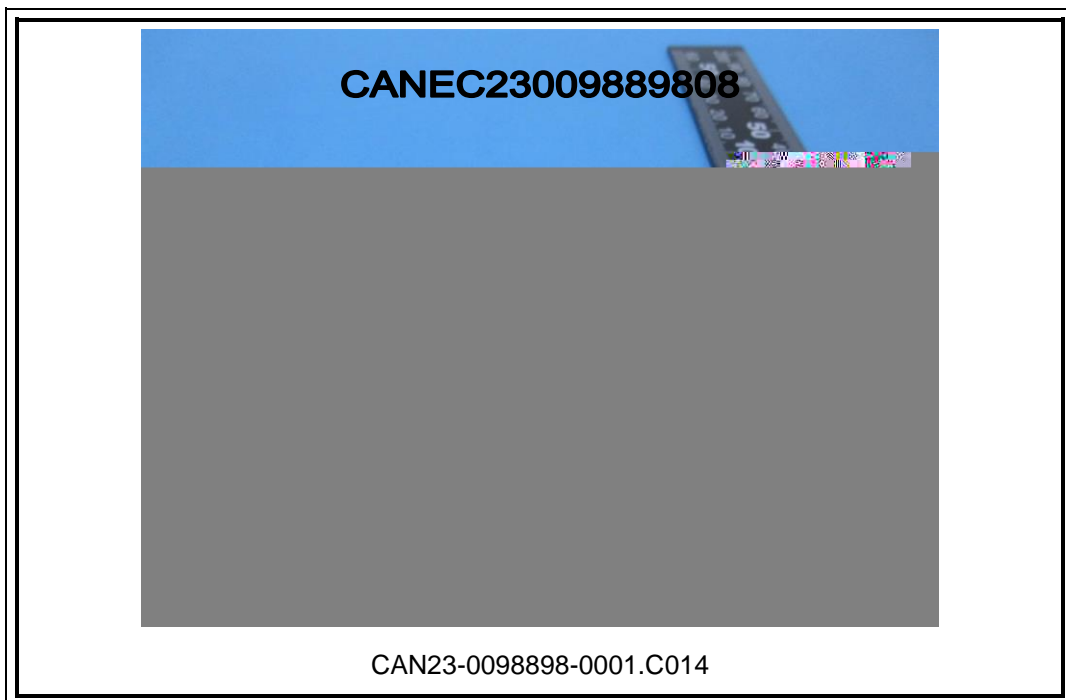
### Phthalates



Unless otherwise agreed in writing, this document is issued by the Company subject to its General Conditions of Service printed overleaf, available on request or accessible at <https://www.sgs.com/en/Terms-and-Conditions>. Attention is drawn to the limitation of liability, indemnification and jurisdiction issues defined therein. Any holder of this document is advised that information contained hereon reflects the Company's findings at the time of its intervention only and within the limits of Client's instructions, if any. The Company's sole







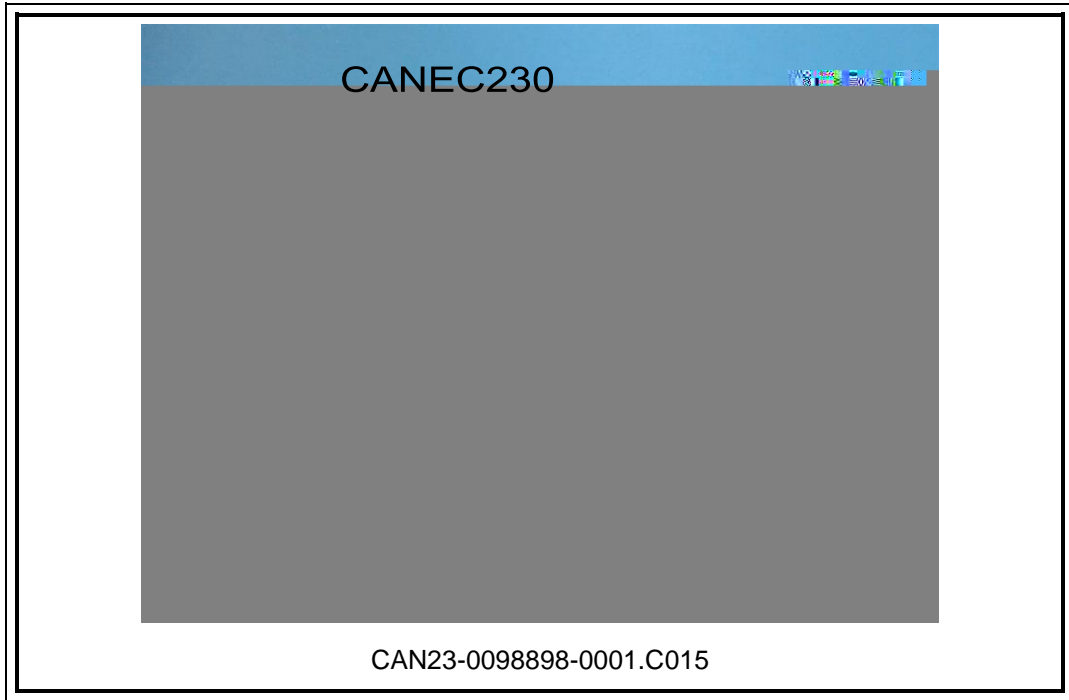


CANEC23009889808

2023 09 22

10

10



SGS

\*\*\* \*\*



Unless otherwise agreed in writing, this document is issued by the Company subject to its General Conditions of Service printed overleaf, available on request or accessible at <https://www.sgs.com/en/Terms-and-Conditions>. Attention is drawn to the limitation of liability, indemnification and jurisdiction issues defined therein. Any holder of this document is advised that information contained hereon reflects the Company's findings at the time of its intervention only and within the limits of Client's instructions, if any. The Company's sole

